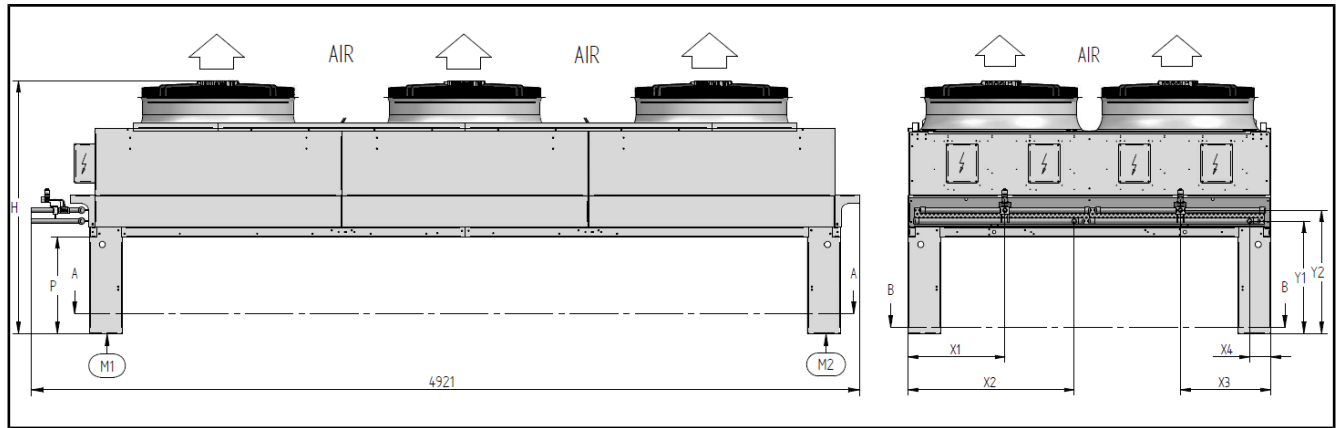


General Data	Series	Carrier				
	Model Code	GASCO.AL91-CO2-6MDC-EC-OPT.M2 MOTOR MAX 500RPM-SV				
	Circuiting Code	84T-4N-21+21INJ-1 1/8	Air flow type	Vertical		
Design point data as per request	Subcritical operation conditions	Value	Unit	Transcrit. operation conditions	Value	Unit
	Ambient temperature	5	°C	Ambient temperature	<u>34</u>	°C
	Compressor discharge temperature	<u>70</u>	°C	Compressor discharge temperature	<u>115</u>	°C
	Condensation temperature	<u>13,7</u>	°C	High pressure	<u>9000</u>	kPa
	Temperature difference	<u>8,7</u>	K	Temperature difference at outlet	<u>2,0</u>	K
	Pressure loss at subcritical operation	<b>19 (0,2)</b>	kPa (K)	Pressure loss at transcritical operation	<b>19</b>	kPa
	Refrigerant mass flow rate	<b>0,62</b>	kg/s	Refrigerant mass flow rate	<b>0,74</b>	kg/s
	Rejected heat capacity	<b>163</b>	kW	Rejected heat capacity	<b>163</b>	kW
	Both operation conditions	Value	Unit	Both operation conditions	Value	Unit
	Altitude	<u>0</u>	m			
	Fan speed	<b>352</b>	1/min	Relative fan speed	<b>70</b>	%
	Fan power consumption	<b>0,63</b>	kW	Air volume flow	<b>42529</b>	m³/h
	Sound power level	<b>65</b>	dB(A)	Admissible sound pressure level	<u>33 @ 10 m</u>	dB(A)
	Std. design point data		Value	Unit		Value
Std. subcritical design point capacity		258	kW	Std. supercritical design point capacity	255	kW
Maximum air volume flow		60137	m³/h	Maximum fan speed	500	1/min
Maximum sound pressure level		<u>44 @ 10 m</u>	dB(A)	Voltage / Grid	400V / ~3 / 50Hz	
Maximum electrical power	1,9	kW	Maximum current	3,2	A	
Fans	Number of fans	6	#	Number of fan rows	2	#
	Fan diameter	910	mm	Motor type	M3	
Coil data	Maximum allowable pressure	120 (12000)	bar (kPa)	Maximum allowable temperature	120	°C
	Pipe material	K65		Fin material	Aluminium	
	Fin spacing	2,12	mm	Fin coating	Vinyl	
	Connection material	K65				
	Inlet connection size	2 x 1 1/8 / 2,1	inch	Outlet connection size	2 x 1 1/8 / 2,1	inch
	Number of circuits	42	#	Passes per circuit	8	#
Pipe volume	98	dm³	Heat transfer area	768	m²	
Dimensions	Length	5121	mm	Width	2205	mm
	Height	1530	mm	Net weight	1024	kg
	Casing	Galvanized steel RAL7035		Number of feet	4	#

Underlined values are client specified design point data / Bold values are calculated data based on client specified design point

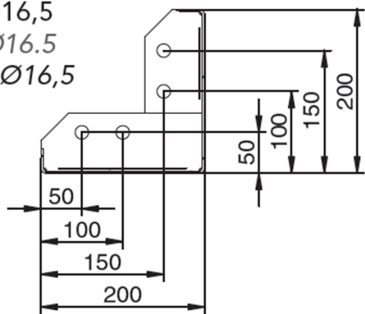
Standard Design Points									
	Fan speed	Ambient Temp	$\Delta T_2$	Compressor Discharge Temp	High Pressure	Subcooling $\Delta T$	h1	h2	$\Delta h$
		°C	K	°C	kPa	K	kJ/kg	kJ/kg	kJ/kg
transcritical	100%	36	2.2	115	9500	./.	529.4	309.2	220.2
subcritical	100%	5	9.0	70	4966	1.0	518.8	237.0	281.8

Side view



Foot details

4 trous Ø16,5  
4 holes Ø16.5  
4 Löcher Ø16,5



	Hauteur Pieds Legs height Höhe der FüÙe	H	P	Y1	Y2
Pieds standard Standard feet Standard-FüÙe	590	1530	588	687	753
Pieds surélevés Long feet Höhere FüÙe	820	1760	818	917	983
Pieds surélevés Long feet Höhere FüÙe	1225	2165	1223	1322	1388

Les dimensions sont données en mm avec une tolérance de ±10mm.  
Dimension data are given in mm with ±10mm tolerance.  
Abmessungsangaben mit Toleranz von +/- 10 mm.

GASCO.AL91 CO2